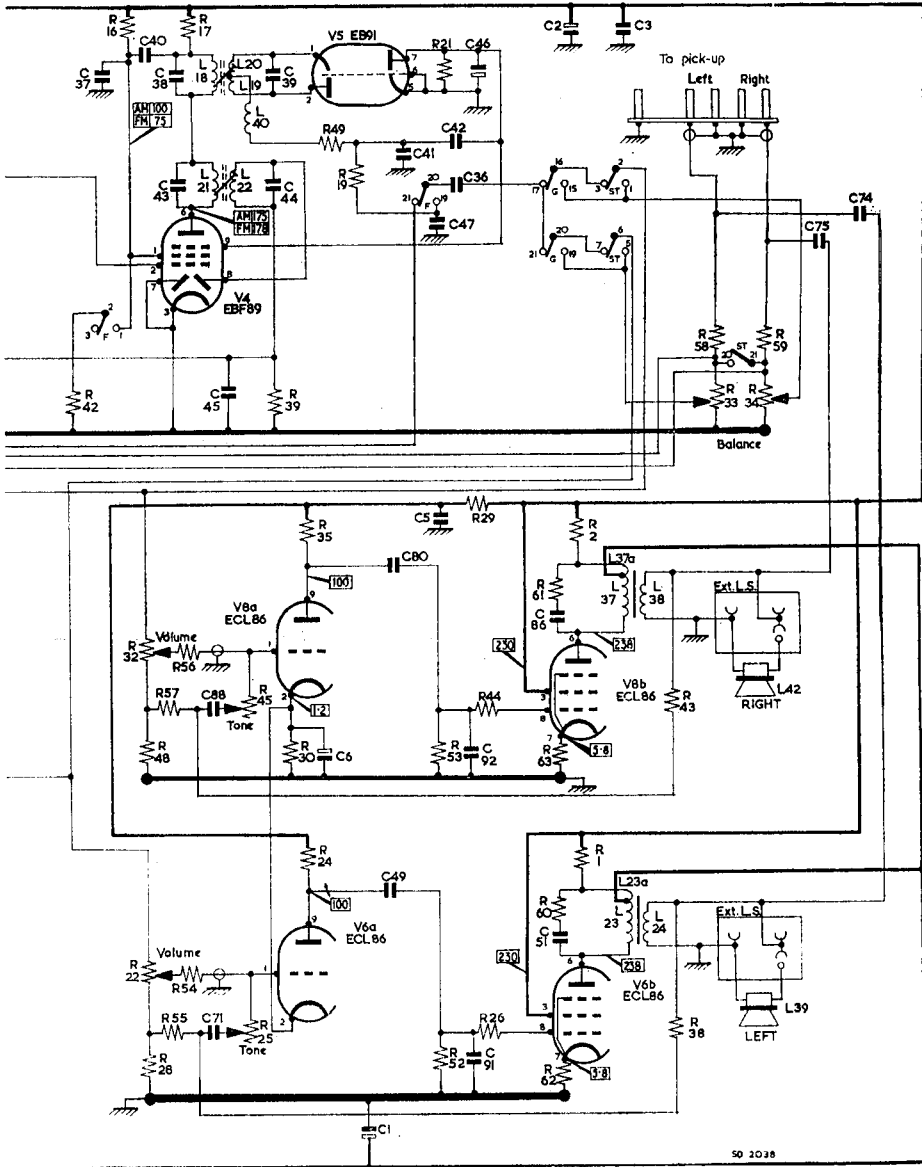


record unit. These models are also known as **520A**, **521A** and **522A** and differ in cabinets; the chassis are electrically identical.

Power Supply: A.C. mains, 200-250 volts, 50 c/s., about 120 watts.

Wavebands: M.W. 187-569 m.; L.W. 1090-2000 m.; V.H.F. 87.5-100 Mc/s.



Valves: (V₁) ECC85; (V₃) ECH81; (V₄) EBF89; (V₅) EB91; (V₆) ECL86; (V₇) EZ81; (V₈) ECL86. Typical voltages shown on circuit.

Notes: Dial lamps two 6.5-volt, 0.3-amp. M.E.S. Gram light (520A, 522A only) 240–250-volt, 15-watt, S.E.S. F65–68 are Ferroxcube beads.

Alignment Frequencies: I.F. (F.M.) 10.7 Mc/s. (L₁₈, L₁₉/L₂₀, L₁₄, L₁₅, L₈, L₄₁). R.F. 100 Mc/s. (C₁₆, C₁₀); 87.5 Mc/s. (L₆, L₅); 94 Mc/s. (C₈). I.F. (A.M.) 470 kc/s. (L₂₂, L₂₁, L₁₇, L₁₆). M.W. 1620 kc/s. (C₅₈, C₃₂). L.W. 190 kc/s. (C₆₅, L₃₂).

Dismantling: *To remove chassis (520A, 522A).* Remove control knobs, chassis compartment back and base plates. Release gram lamp lead, balance control (two lower screws) and aerial panel. Detach internal aerial, motor mains plug and disconnect four speaker leads at connectors. Turn receiver face down on a protected surface and withdraw four chassis retaining screws (rubber mounted). Right receiver, lift rear of chassis to enable push buttons to clear cabinet, then withdraw chassis. To remove chassis completely, pick-up leads must be unplugged from socket beneath record changer; tape panel and gram lamp leads must also be detached. *To remove chassis (521A).* Remove control knobs and chassis compartment back plate, then release balance control (two lower screws), aerial and tape panels. Detach internal F.M. aerial, motor mains plug and release pick-up leads from their clamp. Disconnect four speaker leads at connectors then withdrawn four (rubber mounted) retaining screws from chassis mounting brackets. Lift rear of chassis to enable push buttons to clear cabinet, then withdraw chassis. To remove chassis completely, unplug pick-up leads from socket beneath record changer, detach tape panel and lamp lead. *To remove record changer (all models).* Detach motor mains plug from receiver chassis and release motor mains lead from cable clamp. Remove four nylon fixing bushes from changer top plate, lift unit up, detach pick-up lead plug, then withdraw changer.